

# CLAMPING COLLETS

Pulling force system



COMPATIBLE WITH C.N.C. LATHES

**Unilock**<sup>®</sup>

INNOVATIVE SOLUTIONS FOR CLAMPING SYSTEMS

## SMH - CLAMPING COLLETS



SMH clamping collets are made up from metal inserts, units of vulcanised rubber. This allows the collet to close radially in a perfect manner, blocking the piece along the entire length of the hole and eliminates the intrusion of shavings to pass inside the spindle. Applied to the lathe main spindle it is suitable for bar machining.

Moreover, the construction flexibility of the system allows easy specific solutions (drawn bars, rectified items, rolled items, pipes).

### QUICK CHANGE COLLET

The system allows a fast front removal of the collet. In this way, replacement or disassembly collet cleaning operations result easier and quicker, without dead times.

All **UNILOCK SMH** collets  
are **COMPATIBLE** with original  
**HAINBUCH** collet-chucks

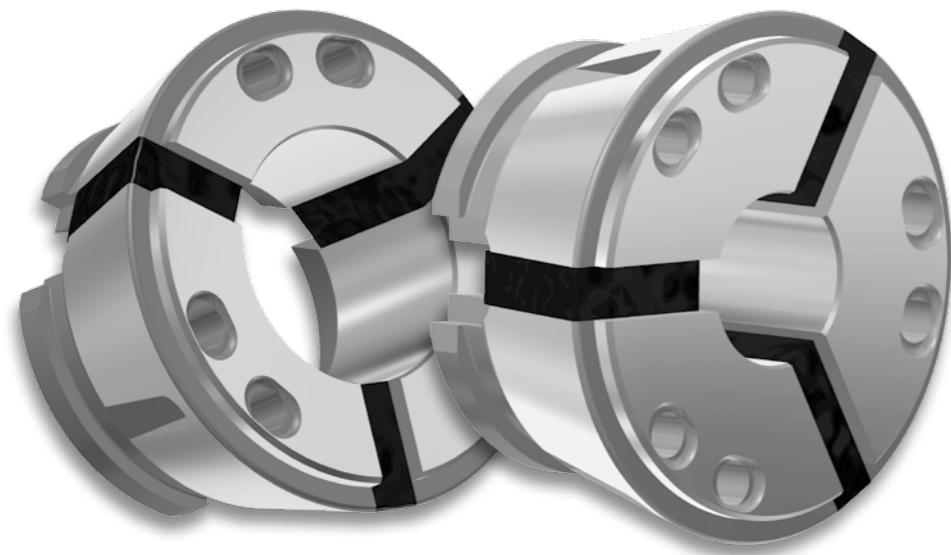
## ADVANTAGES

- **UNILOCK SMH COLLETS** close with tapered coupling.

This feature allows a bar clamping over the entire length of the collet hole with a force from 5 to 10 times greater than conventional collets;

- Excellent elasticity;
- Reduction of vibrations;
- Less tool wear;
- No wear on the collet;
- Does not mark the surface of the piece;
- Quick change collet;
- Fewer machine downtimes.

## TECHNICAL FEATURES



### COLLET CLOSURE WITH TAPERED COUPLING

Unilock SMH Collet has closure with TAPERED COUPLING. This feature allows each individual sector of the collet to close radially, tightening the piece along the entire length of the hole and developing a clamping force that is 5 to 10 times greater with respect to "traditional mono-cone" collets which only close on the front edge.

### EXCELLENT ELASTICITY

Thanks to its high elasticity, the Unilock SMH Collet is adaptable to the imperfections of the bar to be clamped. Suitable for machining rolled, forged and cast elements.

### REDUCTION OF THE VIBRATIONS

Strong clamping force of the Unilock SMH collet greatly reduces vibrations and resonances.

### DOES NOT MARK THE SURFACE OF THE PIECE

During the clamping phase, thanks to the use of a fixed collet closing system (as jaws of self-centering) the bar or the piece is not scratched or marked by the collet.

### FEWER MACHINE DOWNTIMES

**Unilock SMH Collets do not have cuts.** This feature makes it almost impossible for dirt to form inside the spindle.

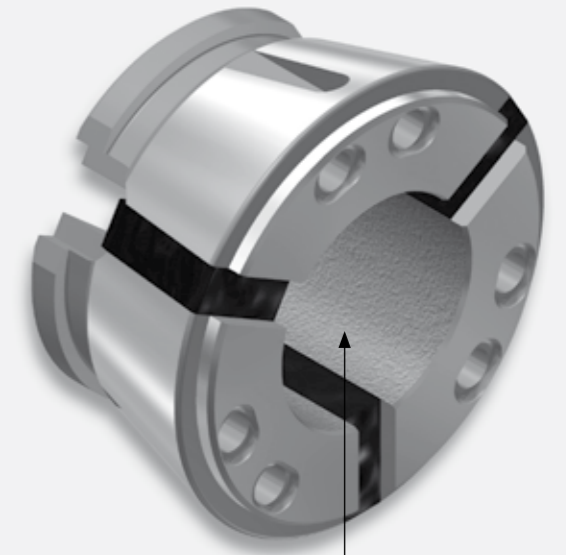
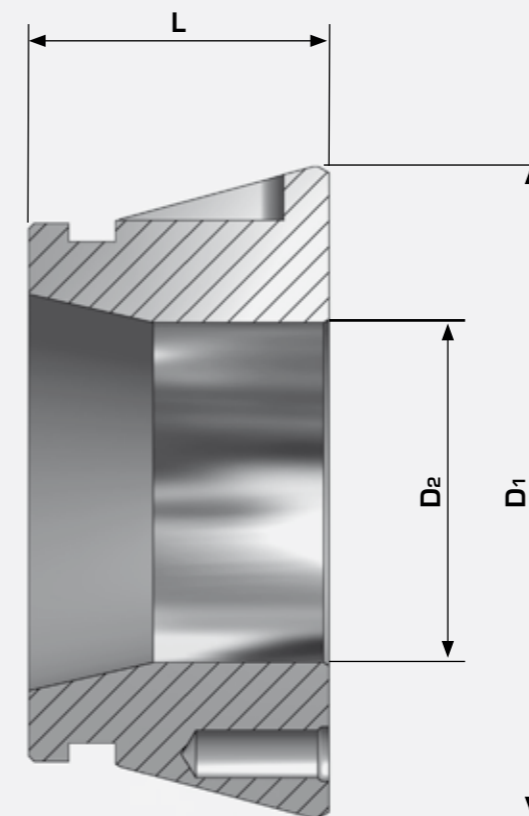
### UNILOCK PNEUMATIC EXTRACTOR

Quick and easy collet replacement.



### SUPER GRIP

High friction coefficient



SUPER GRIP

MATERIAL	DYNAMIC FRICTION COEFFICIENT
STAINLESS STEEL	0,42
STEEL	0,48
BRASS	0,55
<b>NO COATING</b>	<b>0,18</b>



## SUPER GRIP CLAMPING COLLETS

### SUPER GRIP COLLETS

as well as maintaining the basic features, it has an interior "rough" coating with high friction coefficient, which increases the clamping force even further.

The "dynamic friction coefficient" is determined on the basis of the roughness present inside the collet and must be considered according to the type of material to be machined (e.g. stainless steel, steel, brass). SEE TABLE

## UNILOCK SMH - CLAMPING COLLETS

SMH COLLETS	D1	L	D2	
				
SMH 6970 zw	ø 69,50	42	ø 36	ch 31
SMH 42	ø 80	42	ø 42	ch 38
SMH 52	ø 80	46	ø 52	ch 45
SMH 65	ø 99,5	54	ø 65	ch 56
SMH 80	ø 115	53	ø 80	ch 68
SMH 100	ø 144,5	59	ø 100	ch 86
SMH 160	ø 225	63	ø 160	ch 140



All **UNILOCK SMH** collets are **COMPATIBLE** with original **HAINBUCH** collet-chucks



*Unilock*

[www.unilock.it](http://www.unilock.it)

**UNILOCK s.a.s**

V.le Edison, 56 - 20090 Trezzano sul Naviglio (Mi) - Italy - Tel. +39 02 48401499 - Fax +39 02 4450988 - Email [info@unilock.it](mailto:info@unilock.it)